

## **INDEX**

- 1- Pre-use procedures and safety warnings**
- 2- Technical Data of the Minibar**
- 3- Purpose of Use of the Minibar**
- 4- How to use the Minibar**
- 5- Installation examples**
- 6- How to change the opening direction of the door**
- 7- Disposal**
- 8- Cleaning of the Minibar**
- 9- Shipping instructions in case the product is returned**
- 10- Tips for saving energy**
- 11- Troubleshooting**
- 12- Guarantee**

### **Please read this instruction manual before installation and operation!**

Dear Customer,

Our aim is that this product, which is produced in modern plants and examined by accurate quality controls, could serve you in optimum performance.

Please:

- keep this manual in a safe place, so as to have it handy should you need it, it could be useful for future reference.
- follow all safety instructions.
- read all other documents annexed to this manual.

### **This product complies with the following EU Directives and Regulations:**

- 2014/35/EU Regulations ➡ relating to electrical equipment to be used within certain voltage limits (**LVD**).
- 2014/30/EU Regulations ➡ relating to electromagnetic compatibility (**EMC**).
- (EU) 2019/2019 Regulations (**ERP**).
- (EU) 2019/2016 Regulations (**ECO-LABEL**).
- Directive 2011/65/EU (RoHS) and subsequent amendments

### **IMPORTANT:**

**THE COMPANY RESERVES THE RIGHT TO MAKE CHANGES TO THE PRODUCTS WITHOUT NOTIFICATIONS TO ITS USERS**

## 1- Pre-use Procedures and Safety Warnings



Check during unpacking that the Minibar is defect free.



Minibar should be installed on a stable, smooth & flat surface without the risk of shaking.



Minibar should never be set in an area directly exposed to sunlight or near other sources of heat, such as oven, stove, etc.



If the Minibar is not installed in an open place but inside a piece of furniture, appropriate ventilation of the cooling unit on the back of the Minibar must be ensured.



Minibar's ventilation grills can't be obstructed in any way.

**230  
Volt**

The voltage of the Minibar is indicated on the label inside the product. Problems occurred after inappropriate electricity supply will be out of warranty.



Network connections must be made by an authorized electrician. Use earthed socket. Damaged caused from uncorrect electrical connections will be out of warranty.



If the supply cord is damaged, it must be replaced only by a qualified person in order to avoid a hazard.



Cyclopentane, which does not damage the ozone layer, is used as propellant for the insulation made from PU-foam.



Do not put oils or oil-cooked meals in your refrigerator in unsealed containers as they may damage the surfaces of your appliance. In case of spilling or smearing oil on the surfaces, clean and rinse them with warm water.



The appliance is not intended for use by young children or infirm persons unless they have been adequately supervised by a responsible person to ensure that they can use the unit safely.



Children should be supervised to ensure that they do not play with the appliance.



**Minibar is designed to cool beverages. It is not suitable for keeping food.**



Do not store explosive substances such as aerosol cans with flammable gases in the Minibar.



Never use gasoline, benzene or similar substances for cleaning the Minibar.



We recommend you to unplug the appliance before cleaning.



The appliance must not be exposed to rain.

## 2- Technical Data of the Minibar

1. Cabinet Body
2. Body Shelves
3. Thermostat Adjustment Knob and Temperature Control
4. Full Door
5. Key Lamp



MODEL	SM 45i	SM 45Gi
Internal storage volume (lt)	40	40
Refrigerant Type / Quantity	(R600 / 17gr)	
Dim. unpacked mm. H.x W. x D.	565*435*435	
Climate Class	S-SN-ST-T (ambient temp. 10° C. - 43° C.)	
Storage conditions ranging from	6 °C to 14 °C	
Max. absorbed power	73 Watt	73 Watt
Power Supply	220V - 240V / 50-60 Hz	
Net Weight (kg)	16,3	20
Thermostat Type	Automatic	Automatic
Shelves	N°2	

### 3. Purpose of Use of the Minibar

This appliance is intended to be used in indoor areas **is not intended to be used in outdoor areas.**

### 4. How to use the Minibar

The minibar must be connected to a properly grounded AC power socket compliant with current applicable legislation. Ensure that the minibar's input voltage and frequency correspond to the country of destination; on the contrary, do not connect the minibars' socket. Having checked everything and connected the minibar, wait some hours before introducing drinks inside.

To operate the minibar, turn the knob to the on position in the C45-T model. (Image-1)

In the C45 model, if you want a lower internal temperature, turn the knob clockwise; if you want a higher temperature, turn the knob counterclockwise. (Image-2)



(Resim-1)



(Resim-2)

The minibar has an **automatic defrost** function. The fridge will start its first defrost cycle 36 hours after switch-on and will take **one hour to defrost**. After that, the fridge will defrost every 36 hours and defrost time will still be one hour. Water resulting from defrost will be collected in the appropriate tank located at the back of the minibar and evaporate naturally.

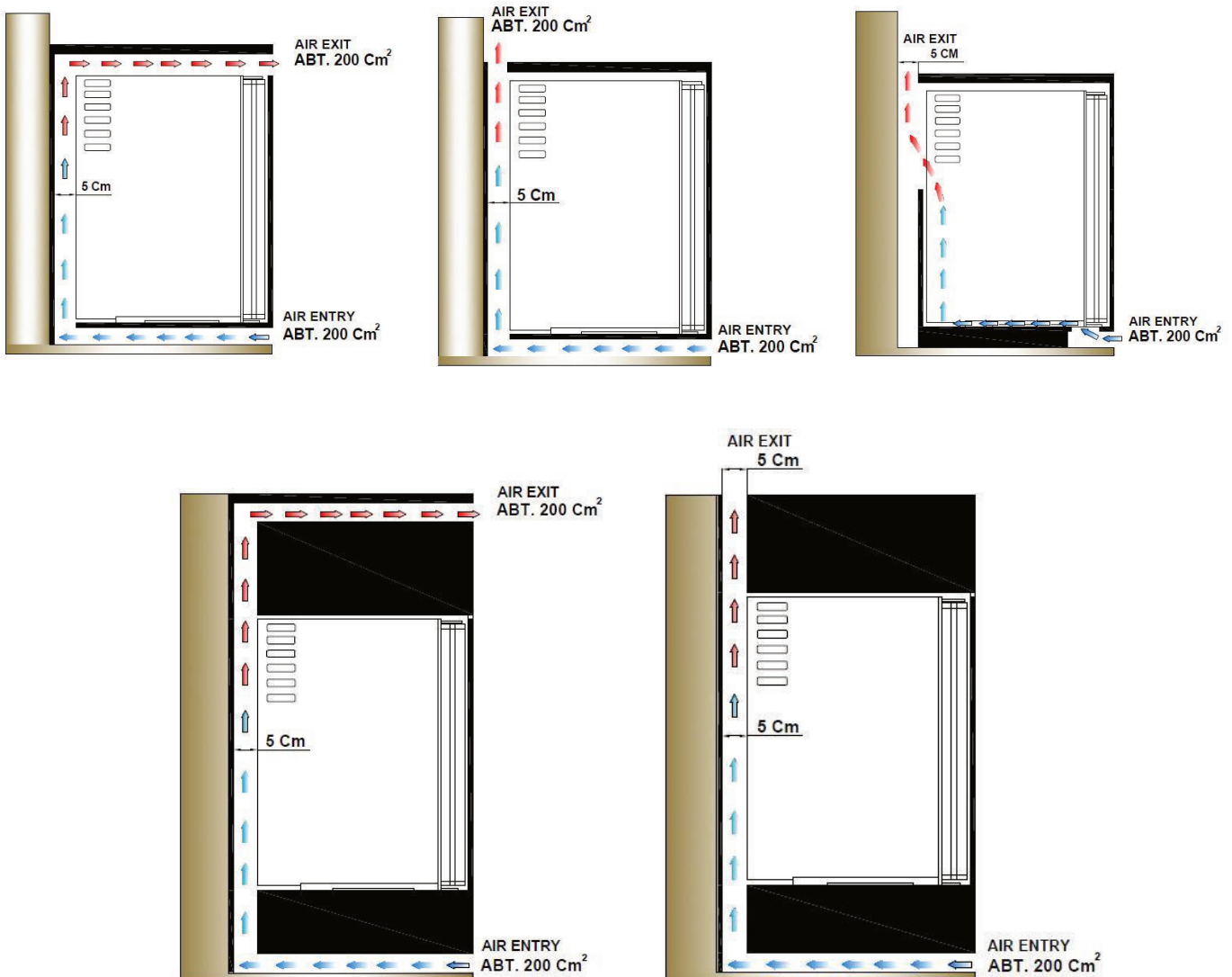
## 5. Installation Examples

### INSTALLED IN A FURNITURE

- ✓ Make sure the minibar is positioned on a perfectly level horizontal surface. Check this using a spirit level. To ensure validity of warranty inclinations over 2 degree are not allowed.
- ✓ Leave a space of at least 5 cm from the back of the minibar and the wall.
- ✓ The upper and lower opening minibar ventilation must not be covered.
- ✓ To position the minibar inside furniture it is necessary and indispensable to create a space for air input and output of minimum 200 cm<sup>2</sup> each one.
- ✓ The air passing through the duct must not be pre-heated by any type of heat source.
- ✓ If aeration grills are used they must each have opening of at least 200 cm<sup>2</sup>.
- ✓ Whichever way the minibar is installed, for good operation and good performance in terms of cold it is essential to allow correct circulation of air. This effect, as shown in the picture, consists in allowing the aspiration of fresh air from the lower front part of the appliance to then expel hot air from the upper back part.
- ✓ **Assure aeration of the cooling block with a correct ventilation and don't obstruct the air passage.**

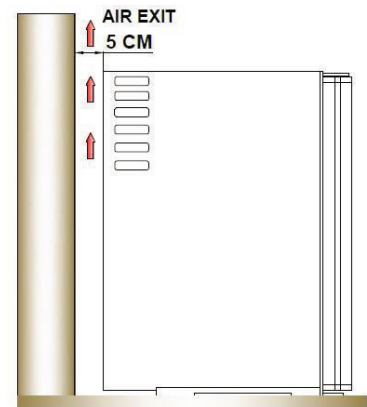
**FOR BUILT-IN INSTALLATIONS CREATE THE CORRECT AIR INTAKES TO EASILY DISPOSE OF THE HOT AIR PRODUCED.**

The diagrams shown are a few examples of correct installations.



## Air ventilation of 200 cm<sup>2</sup> Ex: 40 x 5 cm IN FREE INSTALLATION

- ✓ The minibar must be positioned on a horizontal support that is perfectly level. This operation can be checked using a spirit level.
- ✓ The warranty is not valid for inclinations exceeding 2 degrees.
- ✓ The back part must y be at least. 5 cm from the wall.
- ✓ Leave a space of at least 5 cm on the sides.
- ✓ Do not for any reason cover up the aerating grill at the top of the minibar. This would cause an increase in heat detrimental to the correct functioning of the equipment.
- ✓ Do not expose the minibar to sources of heat.



## 6. How to change the opening direction of the door

1. Using a cutter, remove the 2 pieces of plastic (1) located on the top of the minibar left side.
2. Using an hexagonal key of 2,5 mm., unscrew the 2 screws (2).
3. Free the door from the top part and make a slight pressure on the door to remove it (3).
4. Remove the 2 plastic covers (4) from the upper left side.
5. Using an hexagonal key of 2,5 mm., unscrew the 2 screws (5).
6. Remove the plastic cover (6) from the vent in the top left part. The plastic cover will cover the upper right part.

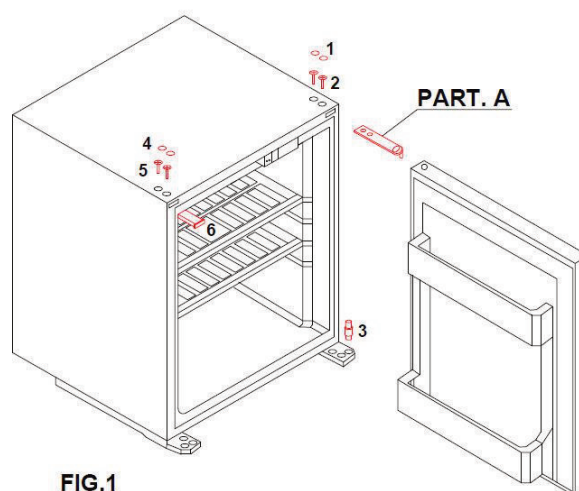
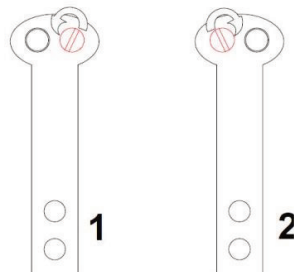


FIG.1

- Remove the plastic cover from the vent (PART.A) and with a screw driver unscrew the hinge from the same part in the adjacent hole.



## PART. A

- Insert the bracket into the hole at the left side of the door.
- Position the door on the pivot and insert the bracket into the free slot.
- Screw the bracket using the 2 hexagonal headed screws.
- Check the door closure (the door closure can be perfected by making a slight pressure on the bracket after having loosened the fixing screws).
- Put all the plastic covers on the screws and holes.

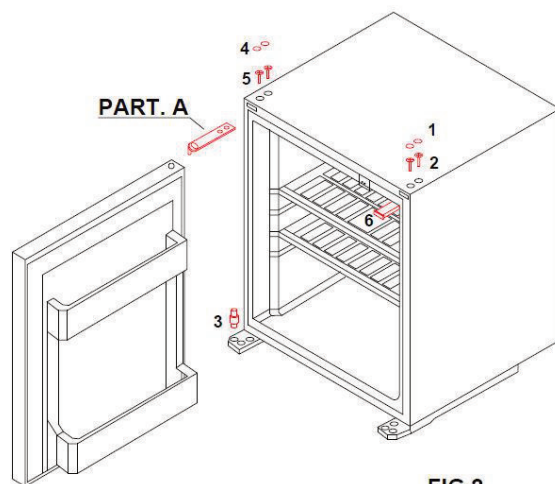


FIG.2


## 7. Disposal

Packaging materials may be dangerous for children. Keep the packaging parts out of the reach of children. The packaging materials should not be treated as household waste: Disposal must be carried out in accordance with local environmental regulations. Our refrigerators are only packaged using recyclable materials.

Dispose your old appliance avoiding damages to the environment. Deliver the old refrigerator to your local organisation authorised to collect old appliances or to your dealer while buying a new one. Before disposing your refrigerator, cut the plug of the live wire, and if there are any locks on the door, make them inoperable in order to protect children against any danger.

This appliance is marked according to the European Directive 2012/19/UE on Waste Electrical and Electronic Equipment (WEEE). By ensuring this product is disposed of correctly, you will help prevent potential negative consequences for the environment and human health, which could otherwise be caused by inappropriate waste handling of this product.



The Symbol  on the product, or on the documents accompanying the product, indicates that this appliance may not be treated as household waste. Instead, it shall be handed over to the applicable collection point for the recycling of electrical and electronic equipment. Disposal must be carried out in accordance with local environmental regulations for waste disposal. For more detailed information about treatment, recovery and recycling of this product, please contact your local city office, your household waste disposal service or the shop where you purchased the product.



## 8. Cleaning of the Minibar

Before operating the Minibar, clean it both inside and outside with warm water, then dry it thoroughly. Never clean the Minibar with soap, granular detergent or soda or anything else than water.

Minibar's door gasket **must not** be cleaned with lubricant oil and exposed to humidity. Door gasket's near to the hinge will remain soft if powdered occasionally with talcum powder. Clean the backside of the Minibar annually with a brush or soft cloth.

This part does not need a special maintenance.



## 9. Shipping instructions in case the product is returned

- 1) In case of return of the Minibar, please, use a strong carton box as packaging the product is returned.
- 2) Minibar must be emptied before transportation.
- 3) Package needs to be fastened with thick tapes or strong strips.

## 10. Tips for Saving Energy

- Install the appliance in a dry, well-ventilated room, but not in direct sunlight and not near a heat source (e.g. Radiator, cooker, etc.).
- Open and close the door as briefly as possible.
- Allow drinks to cool down before placing in the appliance.
- Occasionally clean the rear of the appliance with a vacuum cleaner or paintbrush to prevent an increased power consumption.

## 11. Trouble Shooting

Should the appliance not work properly, before calling for Service, make the following checks:

EN

FAULT	POSSIBLE CAUSES AND SOLUTIONS
The minibar will not switch on	<p>Make sure the mains socket is powered.</p> <p>Ensure the plug is correctly connected.</p> <p>The circuit may be shorted.</p>
The minibar does not cool enough	<p>The room temperature may be too high.</p> <p>The door has been opened too often and for too long.</p> <p>The door is not properly closed.</p> <p>The temperature control has not been set correctly.</p> <p>The door gaskets do not seal properly.</p> <p>Check that the air intakes have been dimensioned correctly and that they are not obstructed.</p>
Internal lighting doesn't work	<p>Ensure that the mains socket is powered.</p> <p>Ensure the plug is correctly connected.</p> <p>The circuit may be shorted.</p> <p>The bulb may be burned out.</p>
The door doesn't close properly	<p>The minibar is not set on a horizontal plane.</p> <p>The opening direction has been inadequately changed.</p> <p>The gaskets are dirty.</p> <p>The shelves or drinks are not correctly positioned.</p>

**If the breakdown continues, please, call the customer service.**

## 12. Guarantee

The product is guaranteed for 24 months from the date of purchase, which is proved by a document valid for fiscal purposes. The guarantee covers imperfections and defects of manufacture and:

- Is not valid if the instructions of use are not followed;
- Is not valid in case of improper use of the product, modifications to the appliance or use of non-original spare parts;
- Does not cover any type of modification made to the appliance;
- Does not cover possible damages to persons or things, caused by improper use and/or incorrect installation.

### **IMPORTANT:**

**THE COMPANY RESERVES THE RIGHT TO MAKE CHANGES TO THE PRODUCTS WITHOUT NOTIFICATION.**