

Silent Minibar User Manual

Model No:SH-40AFBL

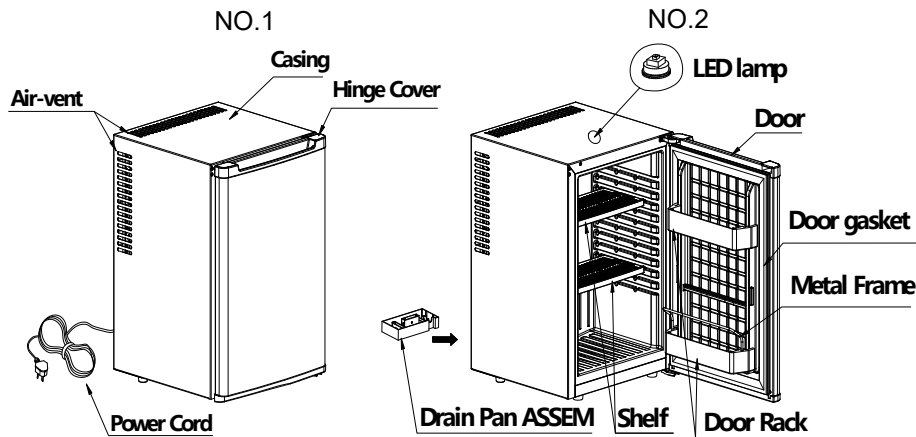
◆ Caution and Attention

- ◇ Please read the user manual carefully before using.
- ◇ Power cord is easily damaged by cutting, extending or by heat.
- ◇ Fire and creepage will occur if using a damaged power cord.
- ◇ If Power cord is damaged, Please refer to a qualified electrician.
- ◇ Please don't lengthen power cord or use with other appliances.
- ◇ Avoiding creepage, please only touch plug / power switch with dry hands.
- ◇ Please use a standard and qualified electrical outlet.
- ◇ Please don't maintain, repair / disassemble by yourself.
- ◇ Please unplug electrical plug if suspicious of a hazard.
- ◇ Please unplug electrical plug if not using for 30 days.
- ◇ Please don't store/eat opened food, fruit and beverage left for more than 3 days.
- ◇ Because insulation material is flammable, please keep it away from naked flames.

◆ How to use

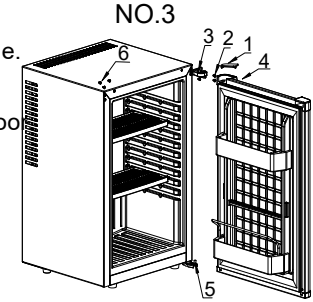
- ◇ Please place on a horizontal surface and ensure good ventilation, according to diagram No.4.
- ◇ Please connect with an electrical outlet and check the LED lamp is on.
- ◇ Close door and remain ON for 2 hours, before putting any food, fruit or beverage into it.
- ◇ Our setting inside temperture is around 8°C based on 25°C ambient temperature.
It can not be adjusted.
- ◇ Before cleaning, please unplug first.
- ◇ Please use a soft cotton cloth for cleaning purposes.
- ◇ To relocate, Please remove all contents before moving.

◆ Structure



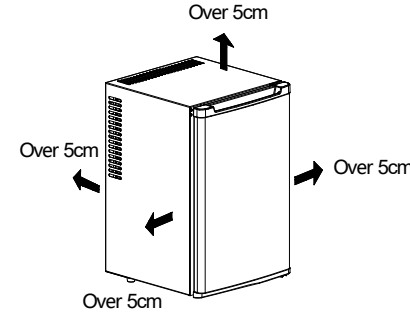
◆ How to change door

1. Remove both left and right hinge cover.
2. Release screws of bottom hinge. Take out bottom hinge.
3. Remove door in bottom direction and place somewhere on the floor.
4. Remove upper hinge.
5. Mount the left upper hinge at left minibar side.
6. Move in the door from bottom
7. Install bottom hinge-bolt at left side of the door
8. Screw in bottom hinge inside minibar.
9. Install both left and right hinge cover.



1.Hinge Cover 2.M5X12 Screw 3.Top Hinge
4.Door 5.Bottom hinge 6.Screw cap

◆ Ventilation requirement No.4



NO.4

◆ Specification

	Silent Minibar Ecoline 40
Model No	SH-40AFBL
Dimension	W400mm*D425mm*H560mm
Volume	40L
Net Weight	12.5kg
Rated V/Hz	220-240V~ 50/60Hz
Rated W	58W
Rated A	0.5A

◆ Trouble shooting

Doesn't Work	If power is on ?
	If connect with electrical outlet?
	If lamp is on?
	If ambient temperature is too high?
Inside Temperature is not enough	If door gasket is ok?
	If ventilation accords to our requirement (No.4 Picture)?
	If ambient temperature is too high?